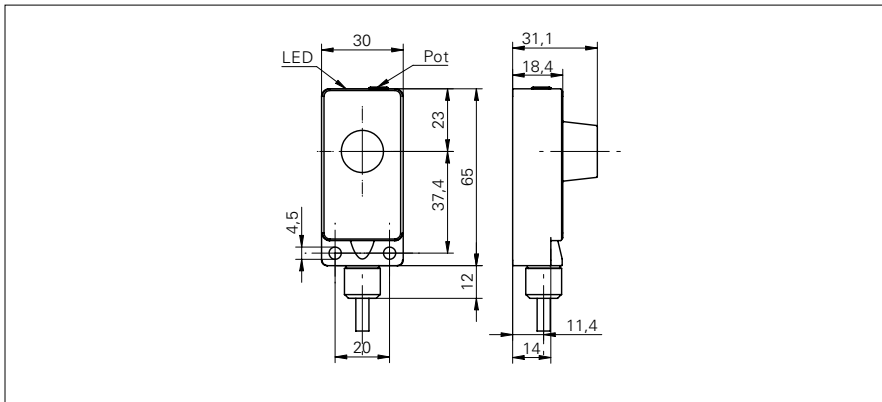


# Ultrasonic distance measuring sensors

## UNDK 30U9113

### dimension drawing



### general data

scanning range sd	30 ... 250 mm
scanning range far limit Sde	30 ... 250 mm
repeat accuracy	< 0,5 mm
resolution	< 0,3 mm
response time ton	< 50 ms
release time toff	< 50 ms
temperature drift	< 2 % of distance to target So
sonic frequency	300 kHz
adjustment	potentiometer
alignment aid	target indication flashing
light indicator	LED green

### electrical data

voltage supply range +Vs	15 ... 30 VDC
current consumption max. (no load)	35 mA
output circuit	voltage output
output signal	0 ... 10 VDC
output current	< 20 mA
residual ripple	< 10 % Vs
short circuit protection	yes
reverse polarity protection	yes

### mechanical data

type	rectangular
housing material	polyester / die-cast zinc
width / diameter	30 mm
height / length	65 mm
depth	31 mm
connection types	cable, 2 m

### ambient conditions

operating temperature	-10 ... +60 °C
protection class	IP 67

### photo



### connection diagram

